

MEASURES THE VISCOSITY OF A HYDROCARBON LIQUID STREAM

The Model 421 multi range Viscometer is a completely automatic process stream analyser for measuring viscosity in absolute units. When used with a density measurement, correlation with ASTM D 445 can be achieved.

TYPICAL APPLICATIONS

The analyser, which utilises special large bore capillaries, is suitable for use with highly viscous, **non-Newtonian** samples, whose viscosity may be affected by shear rate.

- Lube oil blending
- Fuel oil blending
- Lube oil de-waxing
- Residual fuels
- Distillate fuel product specification
- Visbreaker feed stock

PRINCIPLE OF OPERATION

The analyser measures differential pressure across a capillary through which a fluid is passed. The differential pressure is proportional to the absolute viscosity of the fluid as described by the Hagan-Poiseuille equation:

$$\mu = \frac{1.45 \times 10^5 \times d^4 P}{QL}$$

where μ = absolute viscosity in centiPoise (cP)
 d = capillary bore (mm)
 P = differential pressure across capillary (bar)
 Q = sample flow (ml/min)
 L = capillary length (mm)

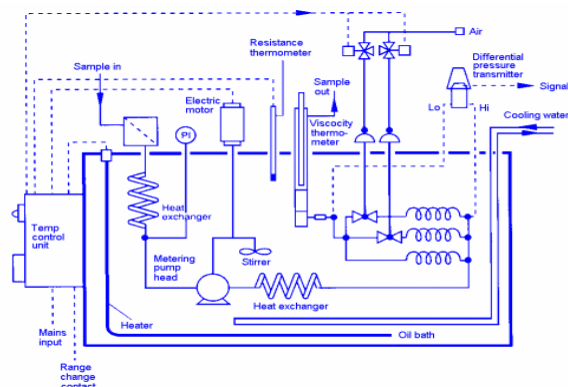
As d , Q and L are constants, μ (absolute viscosity) is directly proportional to P (differential pressure measured across capillary).

The model 421 uses 3 capillaries to provide 3 separate viscosity ranges.

A precision pump meters the flow of sample. To ensure that the sample metered by the pump is at approximately the same temperature as the sample entering the capillaries two heat exchangers are fitted, one either side of the metering pump. Input pressure is set so that the metering pump suction pressure is always positive.

The sample flows at a constant rate through the capillary system, across which a differential pressure transmitter is connected. The output of this transmitter is then directly proportional to the absolute viscosity.

The critical components are maintained at a fixed temperature by immersion in an oil bath, the temperature of which is controlled by a precision temperature controller, heater and, when necessary, water cooling. The temperature is monitored by the relevant ASTM (IP) thermometer.



ONE OF THE ATAC RANGE OF PROCESS ANALYSERS

SPECIFICATION

Analysers performance

Ranges Up to three calibrated ranges
Maximum: 0 - 3500cP
Minimum: 0 - 10cP

Note: Offset zeros are possible but not recommended.

Range change by external volt free contact closures.

Repeatability ± 0.5% FS.

Precision ± 1% FS.

Response time 3 minutes

Specified measurement temperature

38 - 170°C (100 - 338°F)

Output signal

Range 4 - 20 mA fully isolated loop powered.

or Digital output depending on transmitter selected

Out-of-service alarm contact signalling mains failure (or off) or bath temperature fuse blown.

Sample conditions required at inlet

Pressure Within range 0.7 - 14 barg (10 - 200 psig) dependent upon the viscosity of sample.

Temperature Must be within ±100°C (212°F) of the required measuring temperature.

Flow 60.7 ml/min (0.8 gal/h) when power supply frequency is 50 Hz and 72.8 ml/min (0.9 gal/h) at 60 Hz.

Sample conditioning

Sample should be clean and filtered prior to being introduced into the analyser. Pressure pulses should be avoided.

The analyser will accept samples having the above inlet conditions. Complete sample systems can be supplied to condition sample as required at the analyser inlet.

Sample disposal

Return to process or a recovery system. Sample recovery systems can be supplied.

Utility requirements

Power supply

Voltage 115V or 230V ± 10% single phase

Frequency 50 or 60 Hz

Consumption 2 kVA or 2.8 kVA
Depending on the initial measurement temperature.

Cooling water

When the sample is at a high temperature or when the measurement temperature is low with respect to ambient, a supply of cool, potable water (9 - 45 l/h) should be provided to carry away the excess heat. The necessary coil is fitted as standard. If potable water is not available, alternative cooling coil materials can be provided.

Oil for temperature bath

22 litres (5 gal) of Shell Thermia B or equivalent. Normal maximum working temperature of bath is 170°C (protected by a thermal fuse). The sample temperature at capillary outlet is measured by a mercury-in-glass thermometer.

Local display

0 - 100% linear scale on the transmitter.

Standard connections

Sample inlet 1/4" NPT (female)
Sample outlet 3/8" NPT (female)
Cooling water 1/4" NPT (female) IN
Cooling water 1/4" NPT (female) OUT

Electrical M25 (power), M20 (alarm)
(1/2" NPT NEC)

Signal out As transmitter specification either EExd or EExia with 4-20mA isolated output or digital output.

Explosion protection

Model 421J

The analyser is ATEX certified
II 2G EEx d e IIB T1-T6*

*model dependent
for use in zone 1 areas.
Certificate no.
EPSILON 04SYS1283V1

Model 421H

Explosion proof design for use in NEC Class 1, Group D, Div 1 Area.

Environmental protection

The Viscometer is free-standing, and, provided that it is sheltered from direct sun, rain and strong winds, it will operate satisfactorily outdoors under normal temperature conditions in the range 0 - 55°C (32 - 130°F).

Dimensions and weight

Width 490 mm
Depth 1075 mm
Height 1270 mm
Weight 230 kg

Floor fixing bolt holes (4 off 5/8" dia) at 717 mm x 351 mm.

Access dimensions

Length 1680 mm
Depth 1350 mm (inc.open door)
Height 1830 mm

The space below the viscometer must be kept clear for lowering the oil bath.

Options

- Steam tracing and lagging of transmitter for high pour point samples. Transmitter is enclosed in traced metal box. Bleed connectors are brought out to external valves. Impulse lines are traced and lagged (fitted as required).
- Local digital indicator (scaled in engineering units).
- Water cooled gearbox and high temperature stirrer. These items, when fitted, allow operation of the viscometer at up to 170°C.
- Digital transmitter with integral microprocessor permitting remote diagnostics, configuration and interrogation of transmitter plus loop integrity test using manufacturer's hand-held communicator.
- Measurement of viscosity at line temperature.
- Remote indication of bath temperature.
- Fast loop manifold connection.
- Local, manual range change.
- Pneumatic range change.

0421 JAN 2004

For further information contact :-



**Analytical
Technology
& Control
Limited**

Unit 6, Redlands Centre,
Coulson, Surrey, CR5 2HT,
England.
Telephone: +44 (0)208 763 9494
Fax: +44 (0)208 763 9540
E-mail: atac@atacuk.com